



RH1156A2POS

Point Of Sale 15,6"



★ FEATURES

- Fanless and flat design
- Made of aluminum frame and metal cover
 - Cables are covered, easy to clean
- Support several CPU and OS platforms.
 - Support PCAP touch
- Support second display mounting (VFD, 7", 10.1", 10.4")
 - With several panel sizes for fitting your application
 - Use built-in mSATA / eMMC hard drive
- With strong and elegant zig-zag metal stand



RH1156A2POS

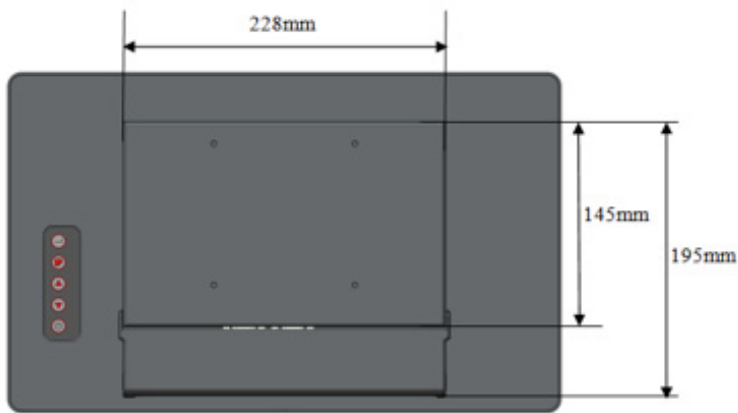
Point Of Sale 15,6"



 View



 DIMENSION



*Product specifications subject to change without prior notice



RH1156A2POS

Point Of Sale 15,6"



SPECIFICATION

Processor	CPU	Rockchip 3288 Quad-core A17
	Frequency	up to 1.8 GHz
	L2 Cache	1 MB L2 Cache
Memory	RAM	2GB DDR3 by default
	FLASH	eMMC 8GB / 16GB
Display	GPU	Mali-T764
	Image Processing	4K H264 10bit H265 decoding; 1080P encoder H265 VP8 MVC; OpenGL ES1.1/2.0/3.0; Open VG1.1; DirectX11
	Graphic Memory	Shared System Memory up to 1.7GB SDRAM
	Main Display Resolution	15.6 inches (1366 x 768), HD version on demand
	Second Display Interface	VGA (Default), HDMI (on demand)
	Touch Panel	PCAP
Video Input	VGA Signal	RGB Analog
	Horizontal Frequency	31 to 48KHz
	Vertical Frequency	56 to 72Hz
I/O Interface	USB	4 x USB Type A
	Second Display	USB Type C (on the top of the back cover)
	Service Port	USB Type C (on the side of the back cover)
	Ethernet	1 x RJ45
	Serial	1 x DB9 COM
	Powered USB	1 x USB 12V; 1 x USB 24V (Optional)
Options	Auxiliary side add-on	With optional 24-key programmable keypad / Magstripe reader RFID reader / Fingerprint reader
Power Adaptor	Input	Universal AC 100~240V, 50/60 Hz
	Output	DC +12V 5A
Environment	Storage Temperature	-15°C ~ 55°C
	Operation Temperature	-0°C ~ 40°C
	Operation Humidity	10% ~ 85%
Mounting	Standard	Zig-Zag Stand/ VESA Mount
Dimension	Panel (w/o stand)	368 x 282 x 45 (mm)